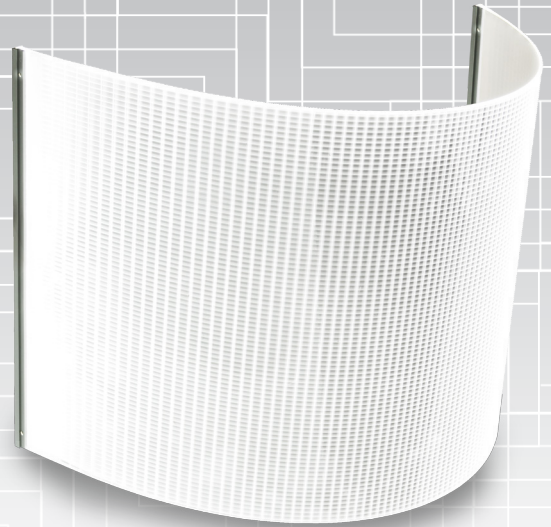


EDGELITE FLEX

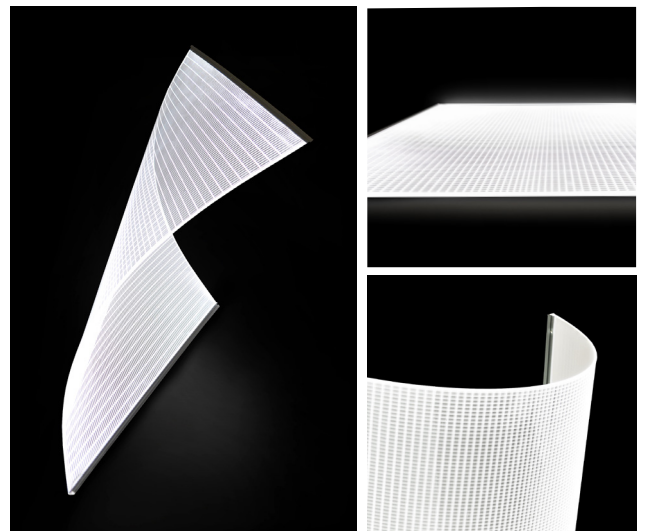
LED Light Panel



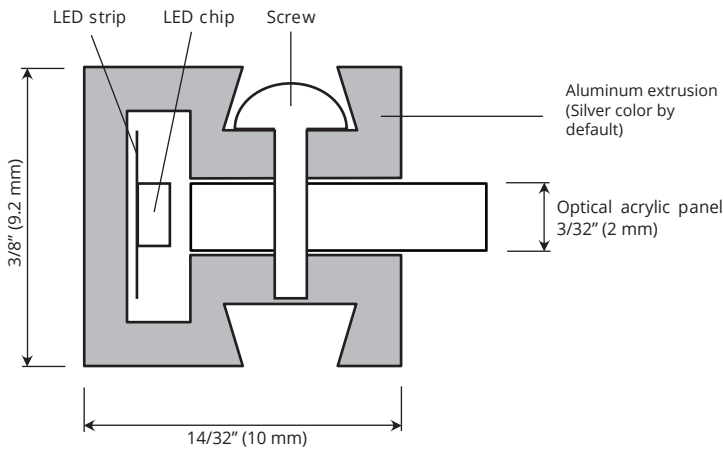
The unmatched light quality of **EDGELITE**, in a flexible, lightweight, and easy to manipulate LED light panel. The panel is only $\frac{3}{32}$ " (2 mm) thick, with a $\frac{3}{8}$ " (9.2 mm) aluminium extrusion. **EDGELITE FLEX** is so thin, it can curve to fit the architecture of a space. Its low weight and thickness makes shipping and installation a breeze. Plus, **EDGELITE FLEX** provides the bright, even, lasting light you'd expect from the **EDGELITE** name.

FEATURES

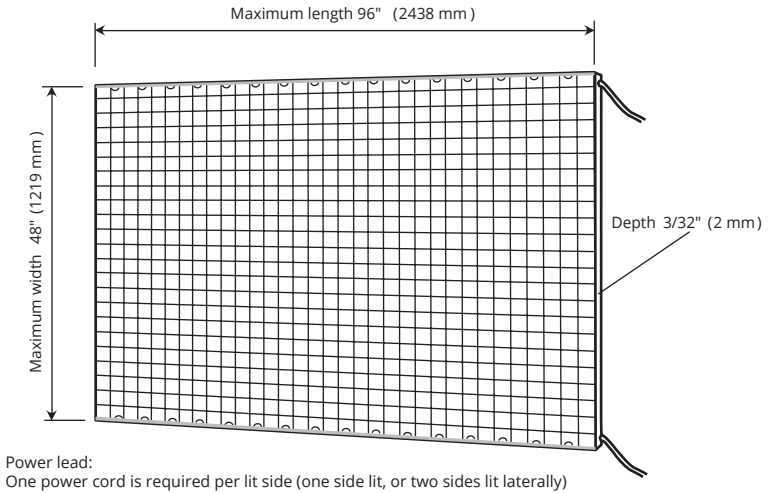
- ✓ Flexible, with the ability to curve
- ✓ Lightweight
- ✓ Available in custom sizes
- ✓ High brightness (up to 10,000 lux)
- ✓ Long LED lifespan (70,000+ hours)
- ✓ Energy saving and maintenance free (70% energy savings over traditional lighting)
- ✓ Superior consistent light quality
- ✓ Advanced 3-year warranty



PROFILE VIEW



FRONT VIEW



SPECIFICATIONS

Electrical

Input Voltage	24 VDC
Power Consumption	5.2 W/ft (standard)
Wire Size	20 AWG 2 wire
Wiring	One power cord is required per lit side with up to 2 lateral lit sides per panel. Each panel must have direct connection to power supply. Do not wire panels in series
Connector	2.1 / 5.5 mm barrel plug. Standard 5' (1,500 mm), optional 10' (3,000 mm)
Certification	UL recognized component (E362079)

Physical

Color Temperature	5000 K (± 200 K) <input type="checkbox"/>
Mounting	Wall mounted with screws, Z-clips, U-channel, or mirror clips
Operating Temperature	-30 °C (-22 °F) ~ +40 °C (+104 °F)
Environment	Dry location only (indoor)
Thickness	Panel: 3/32" (2 mm) Extrusion: 3/8" (9.2 mm)
Minimum Size	2" W x 2" L (50 mm x 50 mm)
Maximum Size	48" W x 96" L (1,219 mm x 2,438 mm)
Weight	0.5 lbs / sq ft (0.23 kg / sq m)

ORDER INFORMATION

Series #	Size	Color Temperature	Illuminated Face Option	Cable Length	LED Location
LLX24- 2 mm depth 24 V	Length x Width (inch / mm)	5000 K (± 200 K)	SFI: Single Face DFI: Double Face	WL15: 5' (1,500 mm) power cord with 2.1 / 5.5 mm barrel plug WL30: 10' (3,000 mm) power cord with 2.1 / 5.5 mm barrel plug	L1: LEDs along 1 long edge L2: LEDs along 2 long edges S1: LEDs along 1 short edge S2: LEDs along 2 short edges